

Why Choose Wandatech?

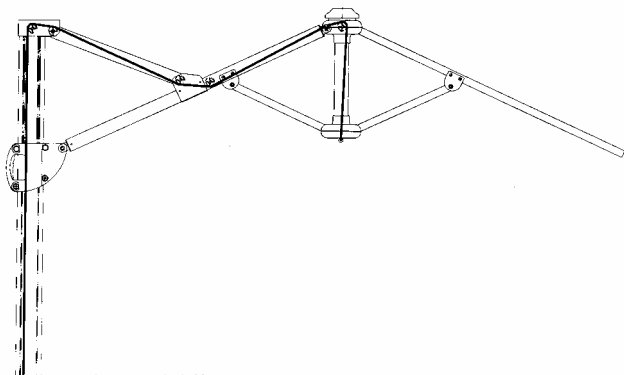
Why choose Wandatech as your umbrella vendor?

Wanda Technology knows you have many different choices in the outdoor product category. We would like to provide you with some valuable information that may assist you in choosing the products and services which best suit your marketing strategy.

1. Wandatech was one of the first companies to manufacture the Side Post umbrella (also known as Offset or Cantilever umbrella). Wandatech has over a decade of experience in this category. We have become the leader in new designs and innovative ideas. The advanced lighting systems in our umbrellas have become the envy of the industry, far out shining all others.
2. Wandatech has more than 15 individual US patents already issued , 17 patents pending and 5 new patent applications, as of the end of July 2007. We have many more patents and pending in other countries worldwide. This should be a good indicator that Wandatech's products are unique and that we know our industry. These existing patents, new, and pending patents, might well be the best record in our industry.
3. Wandatech introduces new improvements and product lines every year. Many of the new features turn out to be so popular, they soon become the new standard in side post umbrellas. In our most popular Portofino and Milano series umbrellas, we provide three different models in each series. The Standard (with no lights), the Pro (with center & rib lights) and Sing 2U (with stereo & lights). This allows our dealers to provide a full line of options for their customers. (Please see the attached pages for more detail.)
4. We consider consumer safety a high priority at Wandatech, so we have designed our umbrellas to use a LOW voltage power supply and control panel. This provides peace of mind for all consumers when they are using the unit by swimming pools, spas, beaches, restaurants etc. Furthermore, we use only UL approved Indoor/Outdoor transformers and a low voltage electrical hub to distribute the wires & lights. This is more proof why Wandatech is the industry leader.
5. "Tech Support" is another important reason to choose Wandatech. Side Post umbrellas are very different from regular center pole Market umbrellas, in structure, construction, installation and maintenance. We have a technical support department for the consumer and dealer, that will answer any questions during installation, or for any repairs that might be needed. This is one of the major differences between Wandatech and all the other companies.
6. Wandatech features the best, and a very unique design for tilting an umbrella. We also utilize the main pillar for additional stability during windy conditions. Our umbrella is famous of its "triangle back support design" which uses the main post and the weighted base as an extra support. It prevents the umbrella parts broke and/or tip over. (Please see the following pages for more details).

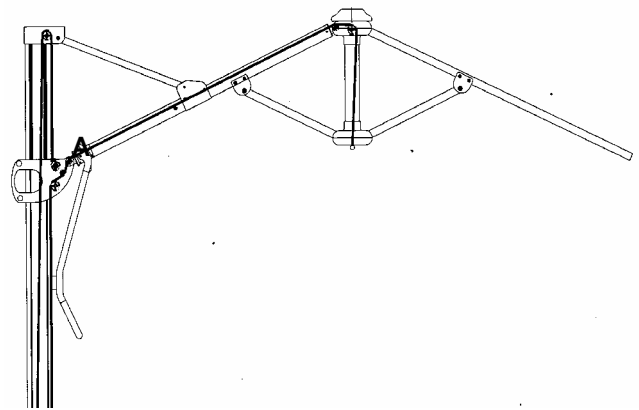
Wanda Technology is confident in our ability to provide you the best in both product line and customer service. We hope to hear from you soon, as you select a primary provider of Side Post Umbrellas.

WANDA TECHNOLOGY – SIDE POST (CANTILEVER) UMBRELLA



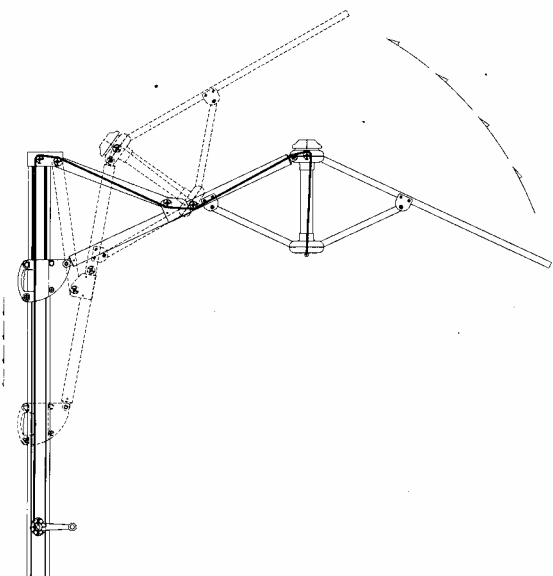
WANDA'S:

1. The rope is hidden within the frame for a cleaner look.
2. Our EZ tilt handle is completely separate from the rope. This allows for easier cranking, when opening the umbrella and individual control of the tilt angle.
3. Lights are built into the frame.
4. Our rotating base is larger and stronger, no pins to remove.



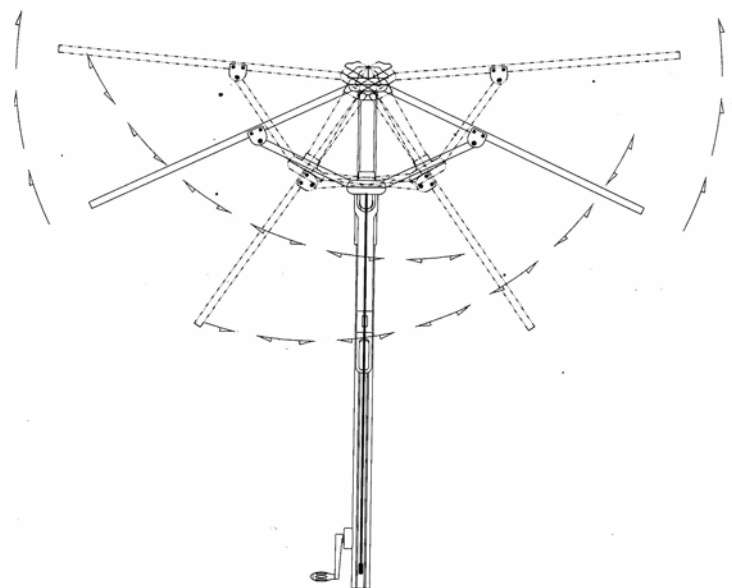
Imitations

1. (A) section of the rope is exposed to the elements
2. This umbrella has a two rope system. The umbrella will not open or close unless the runner is raised or lowered. This places more strain on the rope and a loss of individual control of both operations.
3. Side to side tilting requires a 5-step process and makes the umbrella vulnerable to winds



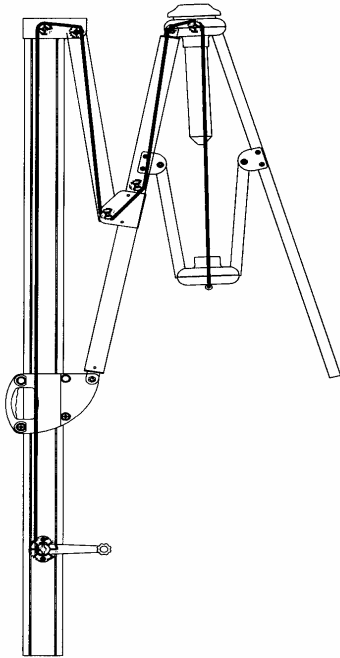
WANDA'S

With our patented EZ tilt handle, just squeeze the handle and slide up or down. Our umbrella tilts back toward the main post. This method allows us to tilt the umbrella approx 80 degree and utilize the main post for additional stability during normal wind conditions.



Imitations

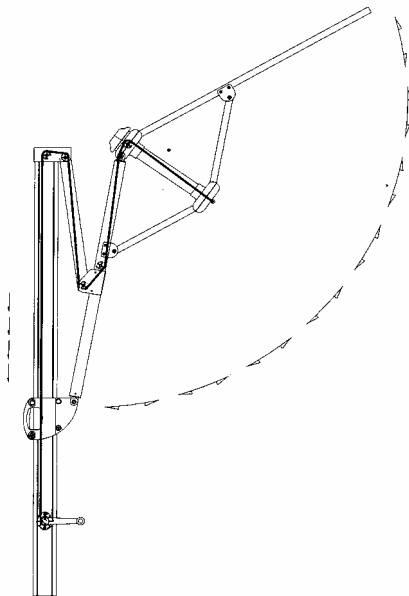
To tilt is a five step process. The umbrella tilts from side to side. With no back support, this exposes the umbrella to possible wind damage. The angle of tilt is limited to approx 50 degrees and places extra stress on the rope, support arms and relative parts & components.



1. Wanda's umbrella will retract to a closed position, clearing your table or spa

Imitation 1 will retract, but the umbrella will slide across the table as it is being closed.

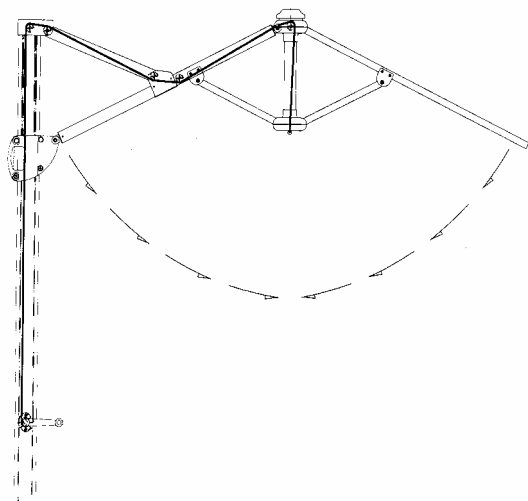
Imitation 2 will not retract and will remain hanging over the table or spa, interfering with your view or blocking your path.



2. Wanda's umbrella can be opened from a retracted position that won't interfere furniture set.

Imitation 1 will only open as it starts to extend.

Imitation 2 will not open from the closed position



3. Wanda's umbrella can be opened from the extended position

Imitation 1 can not be opened from the retracted position.

Imitation 2 will only open from the extended position.